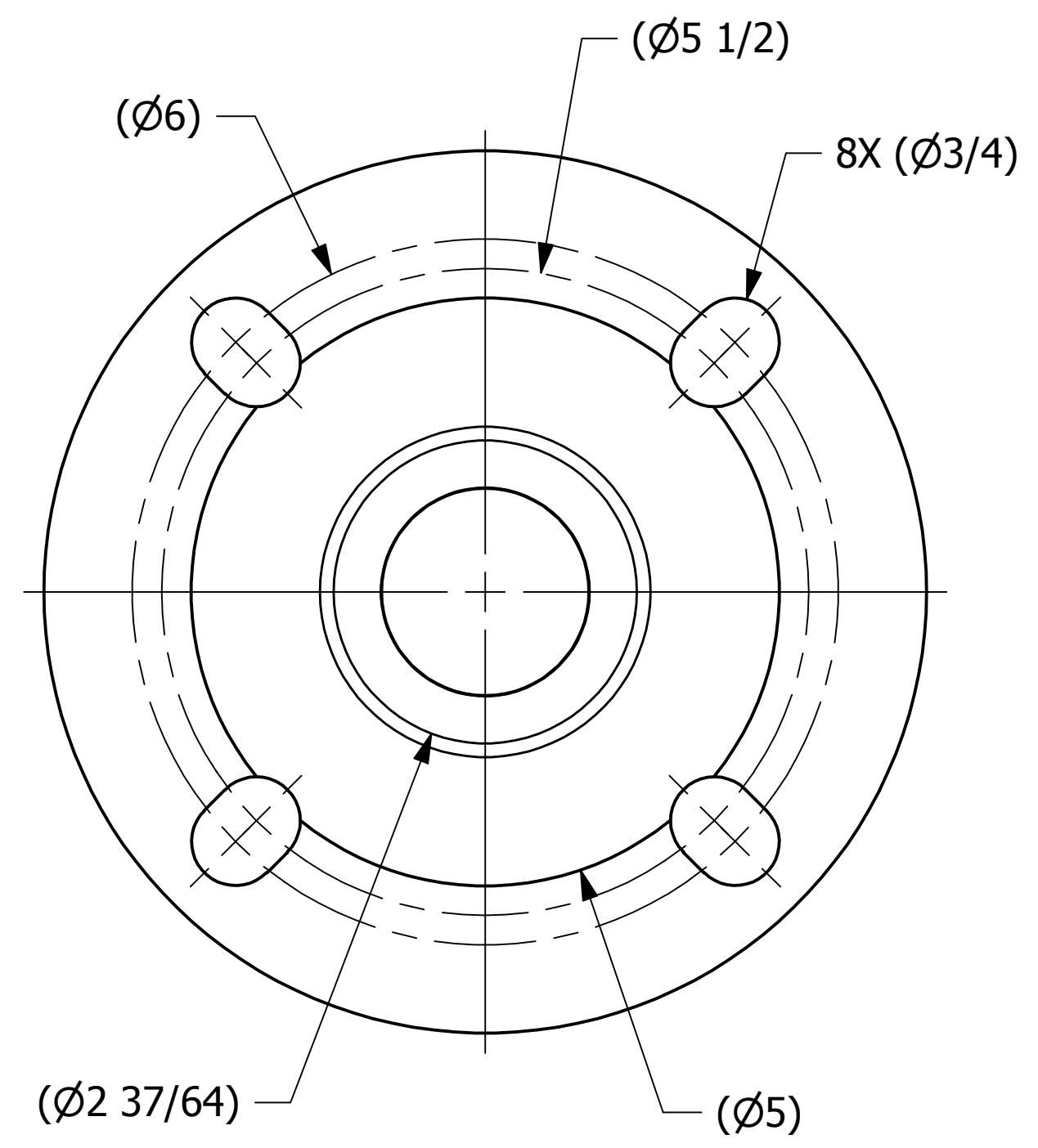
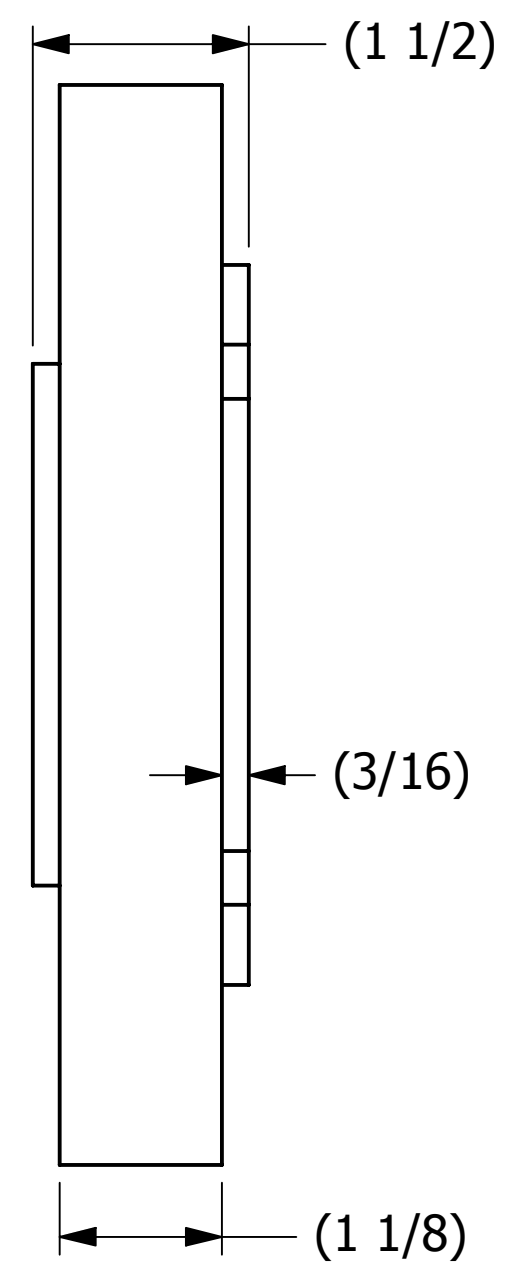
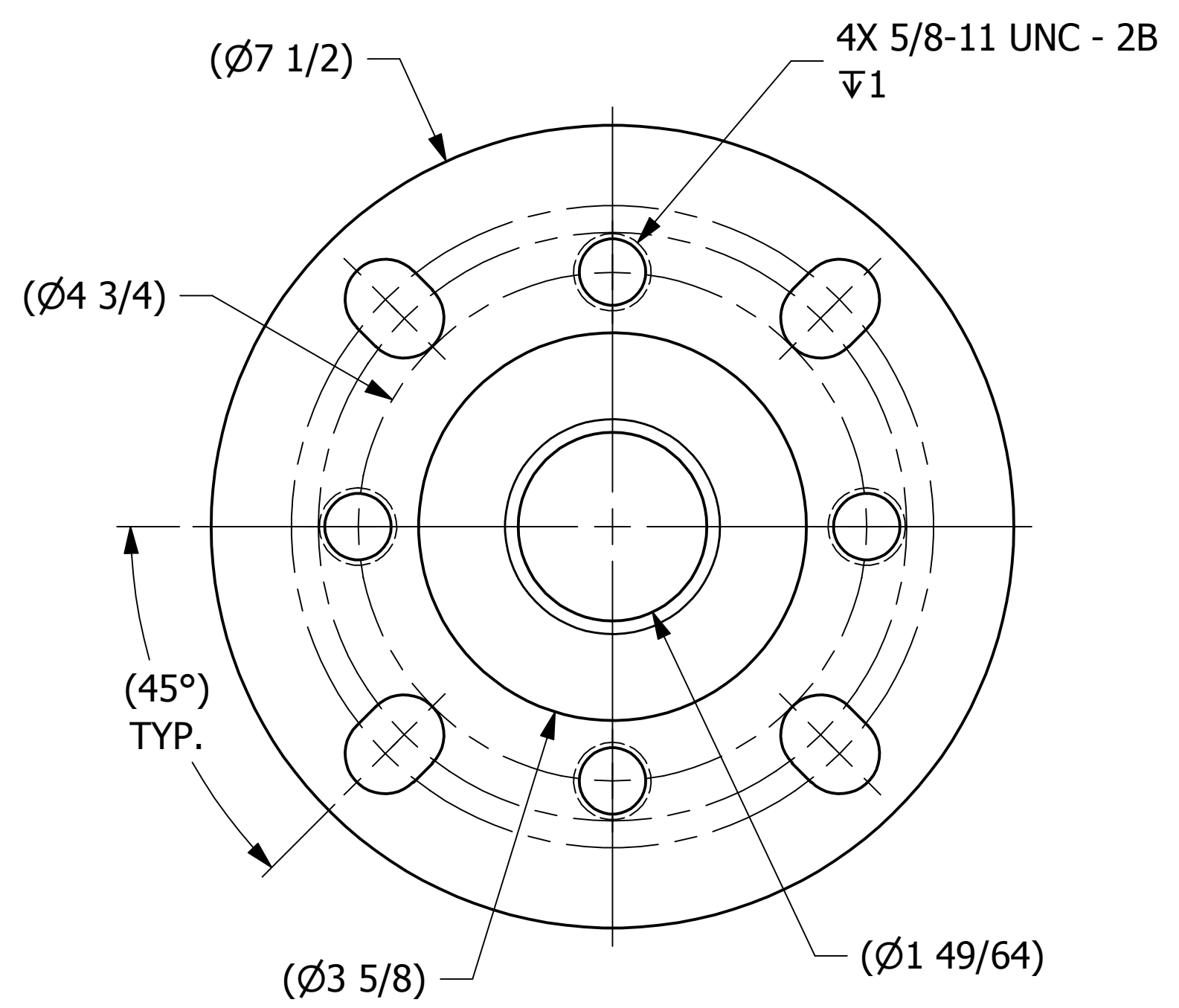


SALES DRAWING

SALES DRAWING



B	KHK	9-3-13	UPDATED TITLEBLOCK
A	VD	7-20-11	RELEASED FOR PRODUCTION
REV	BY	DATE	DESCRIPTION

UNLESS OTHERWISE SPECIFIED DIMENSIONAL TOLERANCES	DRAWN BY:	VD
FRACTIONAL: $\pm 1/16$	CHECKED BY:	WRB
X.XX: $\pm .03$	PROTOTYPE BY:	VD
X.XXX: $\pm .015$	PROTOTYPE DATE:	7/20/2011
ANGLE: $\pm 1^\circ$	APPROVED FOR PRODUCTION BY:	WRB
THIS PRINT, PROPERTY OF SALCO PRODUCTS INC, CONTAINS PROPRIETARY INFORMATION AND MUST NOT BE COPIED, REPRODUCED, OR USED DETRIMENTALLY TO OUR INTEREST.	PRODUCTION DATE:	7/20/2011
THIRD ANGLE PROJECTION		

SALCO PRODUCTS, INC.

PART NAME:
REDUCING FLANGE 3"X2 1/2"X 2" 150 LB

MATERIAL: **SEE BOM**

PROJECT #: **110722** SHEET #: **1 OF 1** SCALE: **1:1**

DRAWING #: **C31095** PART #: **HSRF3252CSPT**

